

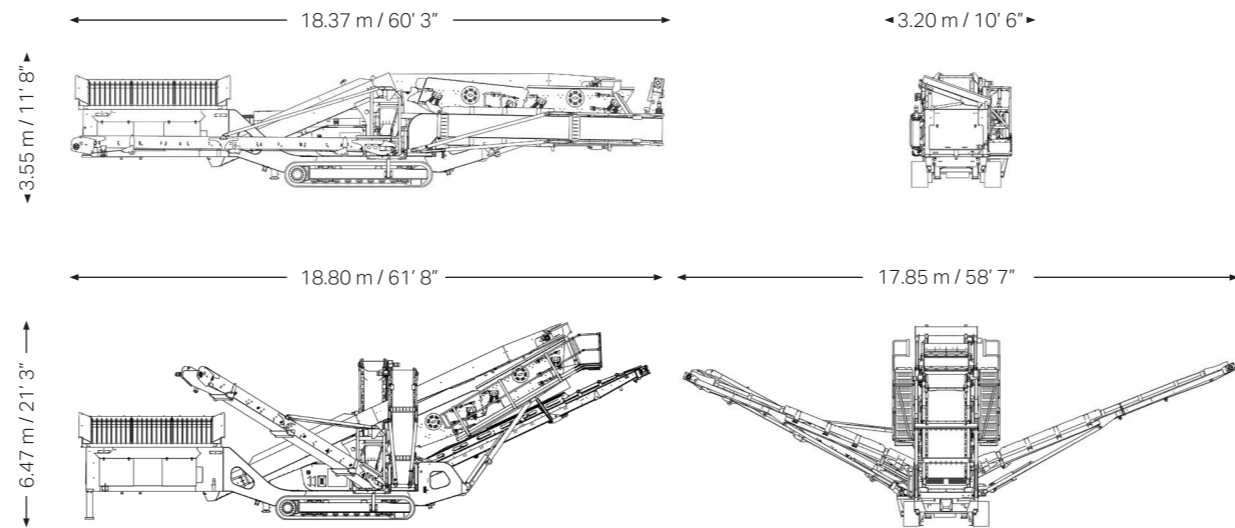


TECHNICAL SPECIFICATIONS

KEY SPECIFICATIONS	DATA
Screen type	2 off screenboxes, 2 Bearing 3 Deck
Screen box size	20' x 5' / 6 x 1.5 m
Tensioning system	Manual Ratchet
Speed	1200 rpm
Throw	7.7 mm
Motor	49 cc x 2 off

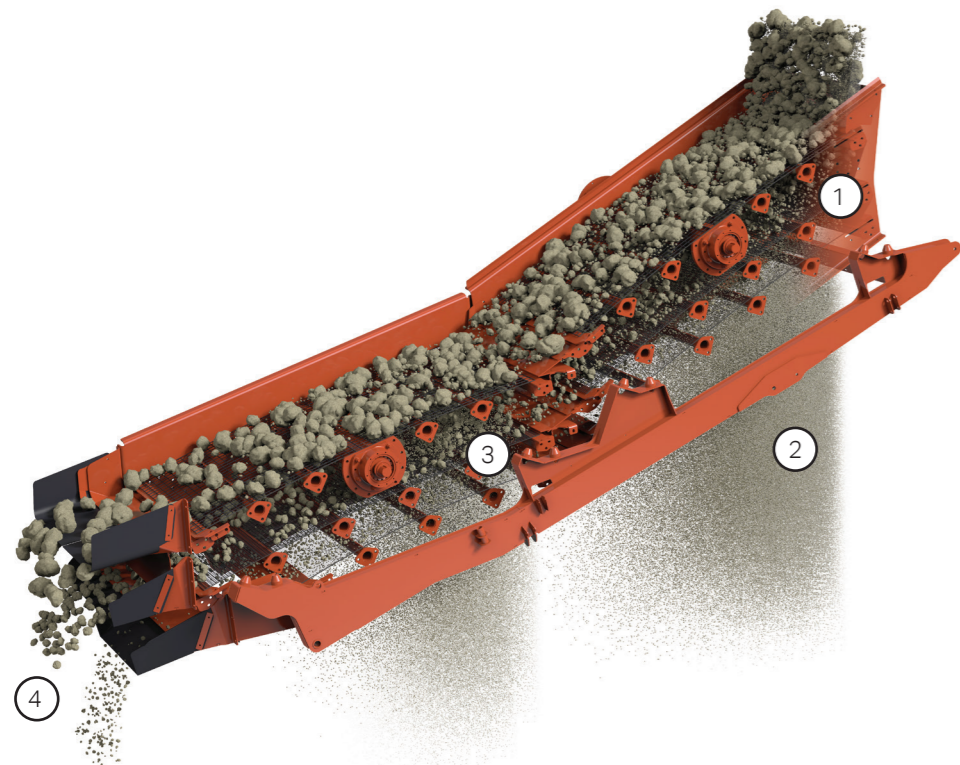
KEY SPECIFICATIONS	DATA
Power pack	
Engine	CAT C4.4 74.5 kw / 100 hp
Diesel tank size	290 litres / 76.5 USG
Hydraulic tank size	370 litres / 98 USG

Note. All weights and dimensions are for standard units only



Standard weight 34,000 kg / 74,957 lbs

At the heart of the QA451 is the Triple deck Doublescreen box, featuring two independent triple deck screen boxes. Both feature independent drives and can have their amplitudes and combined screen angles adjusted dependant upon application. The QA451 offers a screening solution no other mobile triple deck screener can provide as its two screen boxes offer an unsurpassed level of separation on a wide range of materials, at very high rates of production.



- 1 First screen box is used as a fines extractor
- 2 The majority of the undersize is removed during initial impact
- 3 Second screen box operates as a grader
- 4 Clean gradings, at very high output, are produced as material is exposed to a very large screening area

QA451 DOUBLESREEN ENGINEERING IN MOTION



BS-330 ENG rev6 © Sandvik Construction 2016 SANDVIK is a registered trademark owned by Sandvik Intellectual Property AB in Sweden and other countries.

QA451 TRIPLE DECK DOUBLESCREEN ENGINEERING IN MOTION

KEY SPECIFICATIONS	DATA
Screen type	Sandvik Doublescreen 3-deck
Screen box size	20' x 5' / 6 x 1.5 m
Engine	C4.4 74.5 kW / 100 hp
Transport dimensions	18.37 m / 60' 3" (l) 3.20 m / 10' 6" (w) 3.55 m / 11' 8" (h)
Weight	34,000 kg / 74,957 lbs

ULTIMATE SCREENING SOLUTION

The QA451 is the largest and most impressive mobile tracked screener in the Premium range and the only screener in the world with a triple decked Doublescreen screening system. Building upon the success of the QA450, the QA451 represents the next generation model with numerous product enhancements to produce a more user-friendly, efficient and productive unit.

The QA451 is designed specifically to work in closed circuit with our tracked secondary and tertiary crushers. The hydraulically folding fourth product conveyor slews and raises/lowers hydraulically to optimise the feeding position to these upstream units. Alternatively, the QA451 can work as an extra-large stand-alone screening and stockpiling system producing four sized products with a fifth oversize material scalped off at the grid.

FEATURES INCLUDE:

- High production capabilities due to its phenomenal Doublescreen system - two in-line, independently vibrating 10' x 5' / 3 x 1.5 m triple deck screenboxes
- Four on-board hydraulic folding stockpilers
- Enlarged oversize conveyor chute prevents bottle necks and ensures free flow of material.
- Large volume hopper complete with remote control hydraulic tipping grid
- Fully compliant with the latest safety regulations
- Capable of working in the most hostile of environments
- Designed for optimum fuel economy and low operating costs.



STANDARD FEATURES



Hydraulic slew and raise / lower facility



Remote control for ease of mobility



Patented triple deck Doublescreen technology



Colour coded control panel for ease of operation



Hydraulically folding walkways for ease of maintenance



Massive stockpiling capabilities